

QUICK INSTALLATION

ML

# Alféa Excellia S DUO

Hydraulic unit for Split 2 services

## Unité extérieure

WOYG100MQL

WOYG121MQL

WOYG140MQL

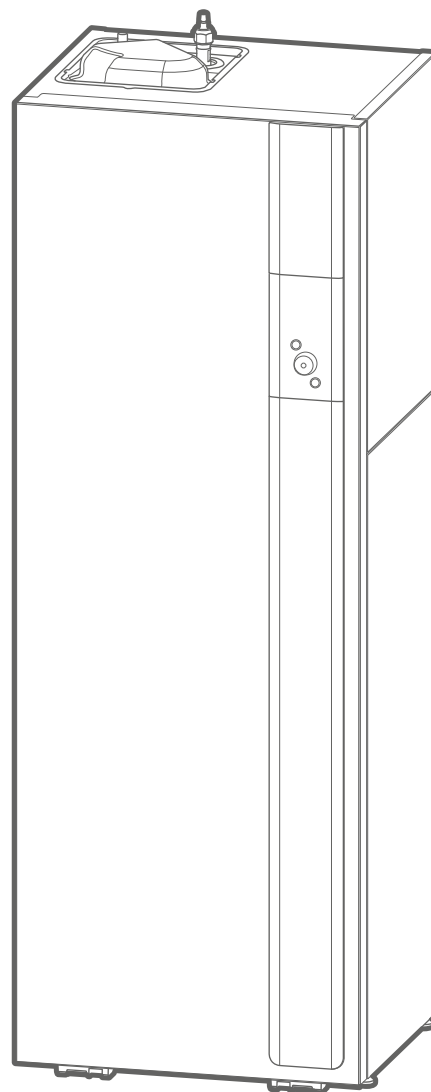
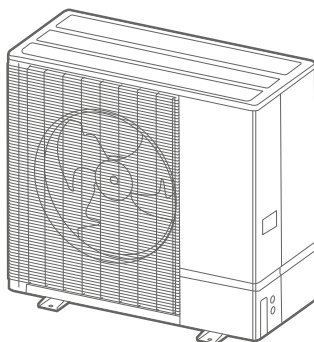
WOYK121MQL

WOYK140MQL

## Module hydraulique

024256

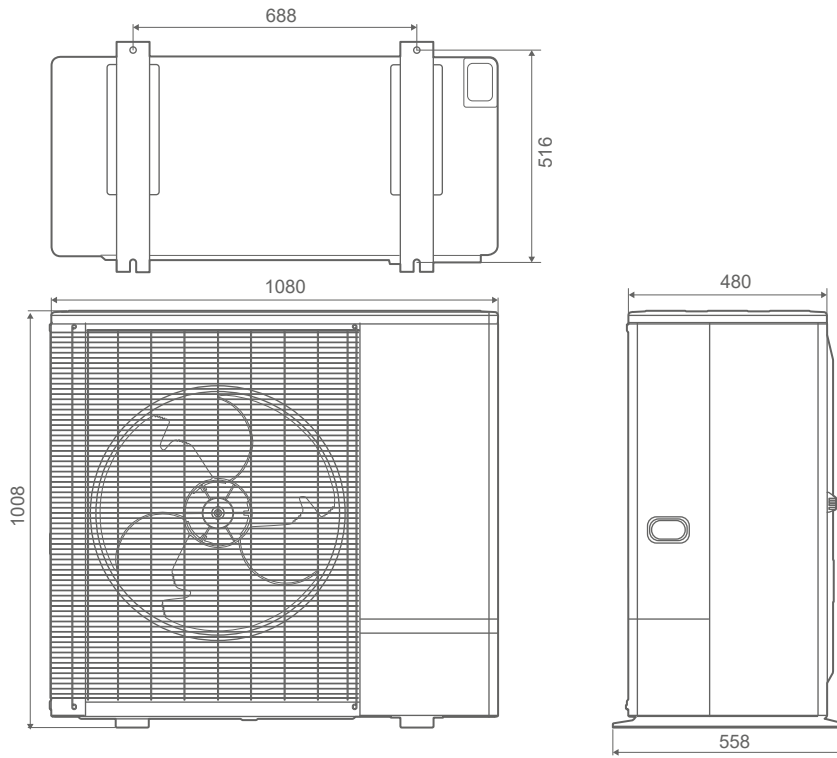
024257

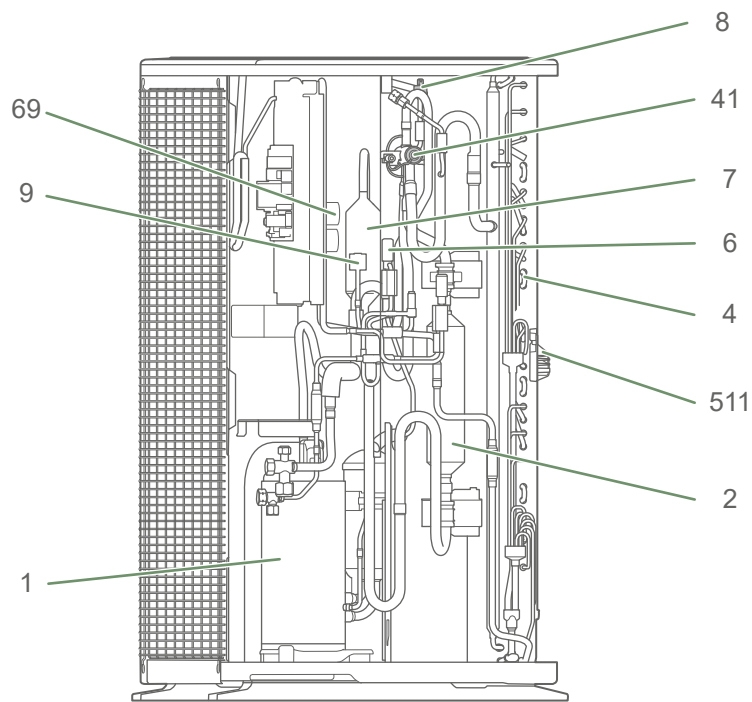
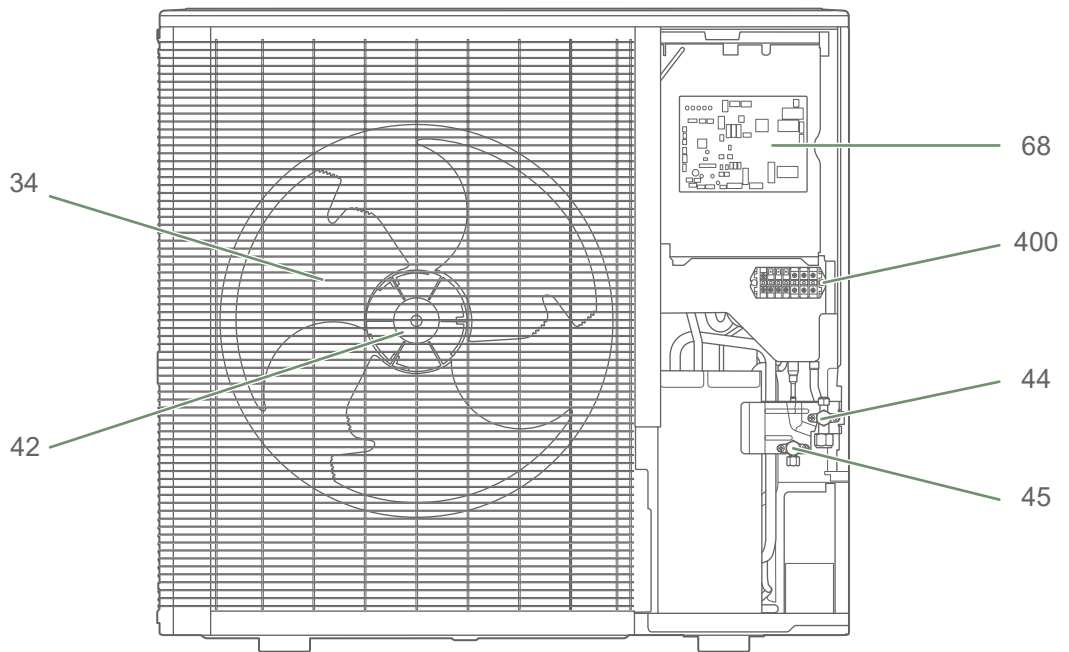


U0775462\_2632\_ML\_2  
09/07/2024

For professionals.  
To be kept by the user for future reference

■ ALFEA EXCELLIA S DUO - Outdoor Unit



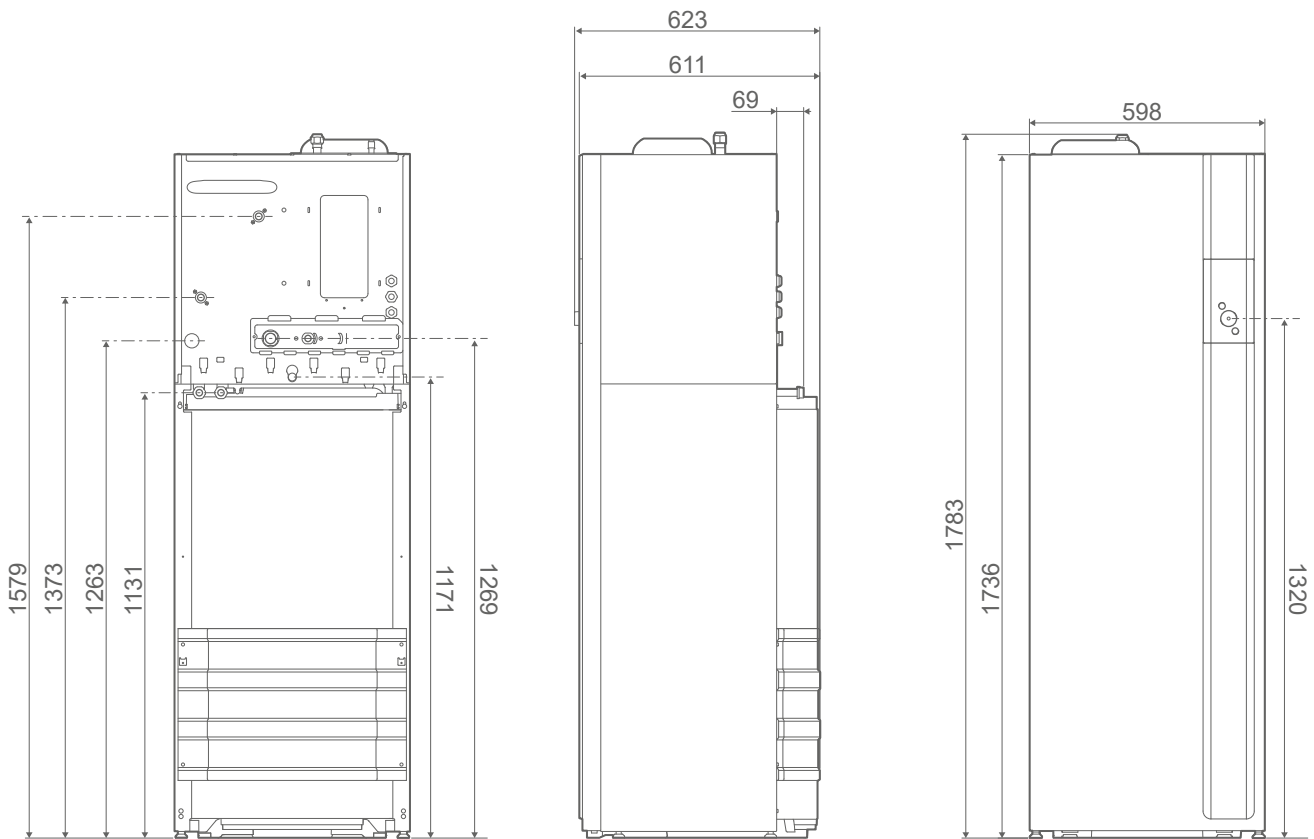


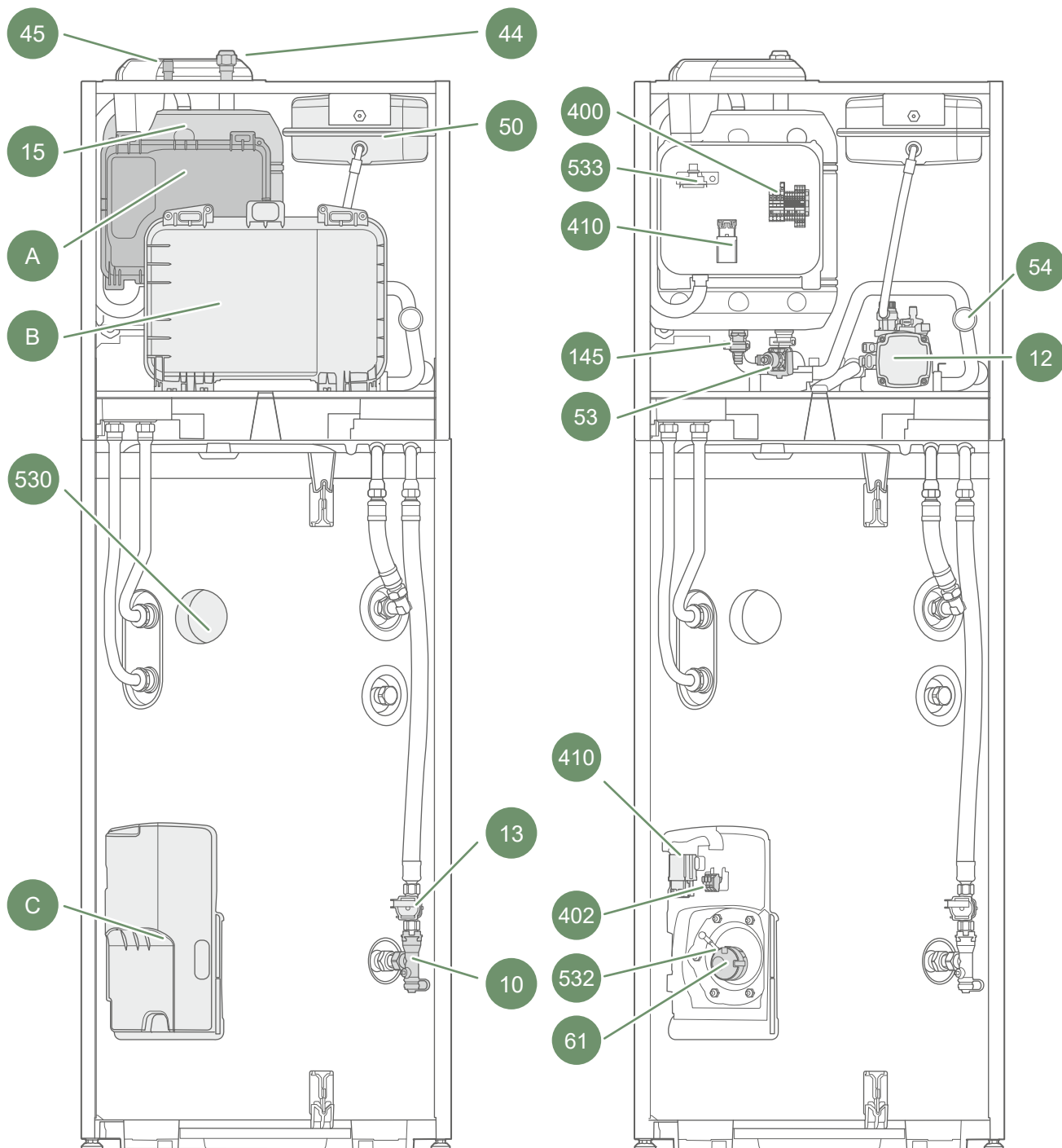
- 1 - Compressor
- 2 - Accumulator
- 4 - Heat exchanger (Evaporator)
- 6 - Expansion valve
- 7 - Filter
- 8 - Pressure swith (On/Off)

- 9 - Pressure sensor (Value)
- 34 - Fan
- 41 - Scharder valve
- 42 - Motor fan
- 44 - "Gas" refrigerant connection
- 45 - "Liquid" refrigerant connection

- 68 - Main PWB
- 69 - Inverter PWB
- 400 - Power supply terminal blocks
- 511 - Outdoor temp. Thermistor

■ ALFEA EXCELLIA S DUO - Hydraulic Unit





**Electric box :**

- A - Principal.
- B - Heating backup supply.
- C - DHW supply

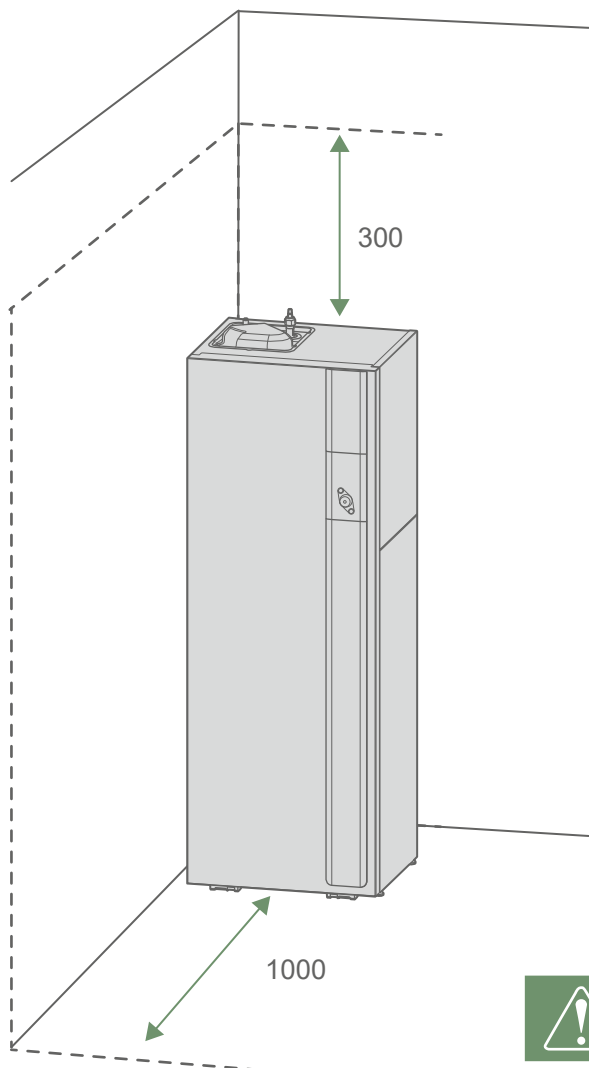
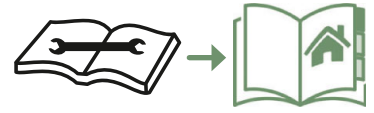
**Sensor :**

- 530 - DHW temp. sensor.

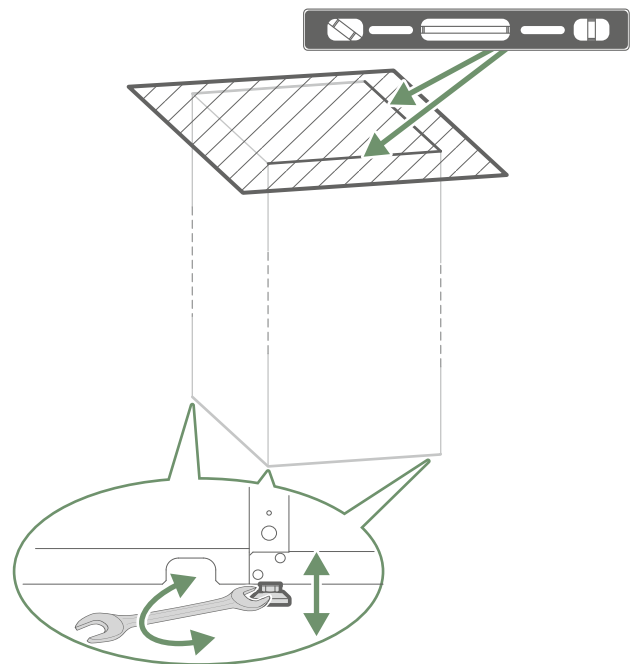
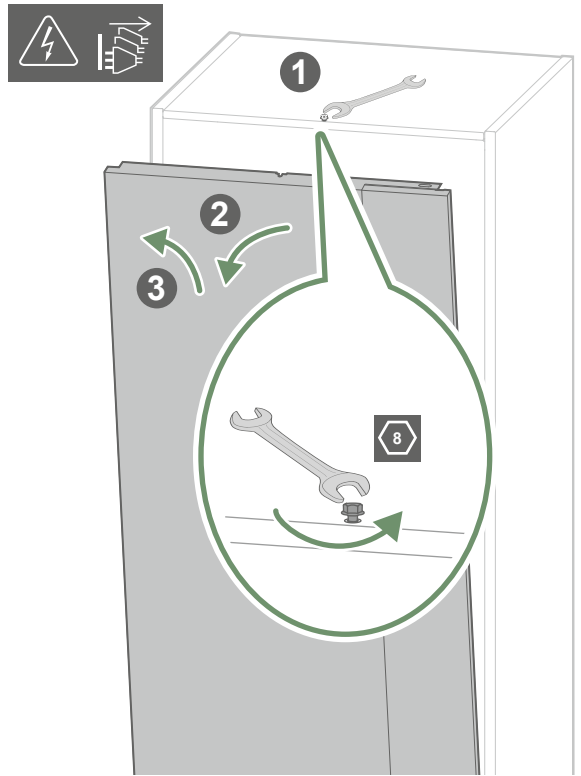
- 10 - Valve
- 12 - Circulating pump
- 13 - Flowmeter DHW
- 15 - Heat exchanger (Condensor)
- 44 - "Gas" refrigerant connection
- 45 - "Liquid" refrigerant connection

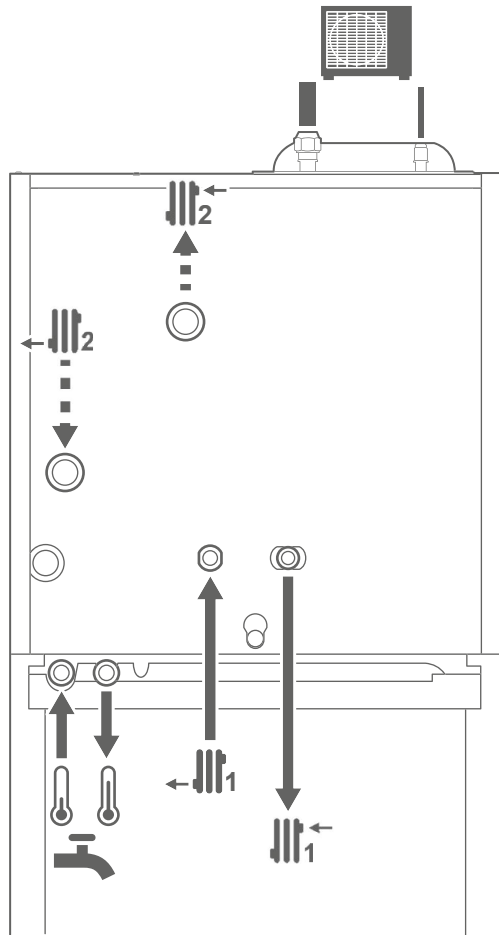
- 50 - Expansion vessel
- 53 - Directional valve
- 54 - Manometer
- 61 - DHW electrical backup
- 145 - Drain valve
- 400 - Power supply terminal blocks

- 402 - DHW terminal block
- 410 - Relay
- 532 - DHW safety thermostat
- 533 - Heat pump backup safety thermostat



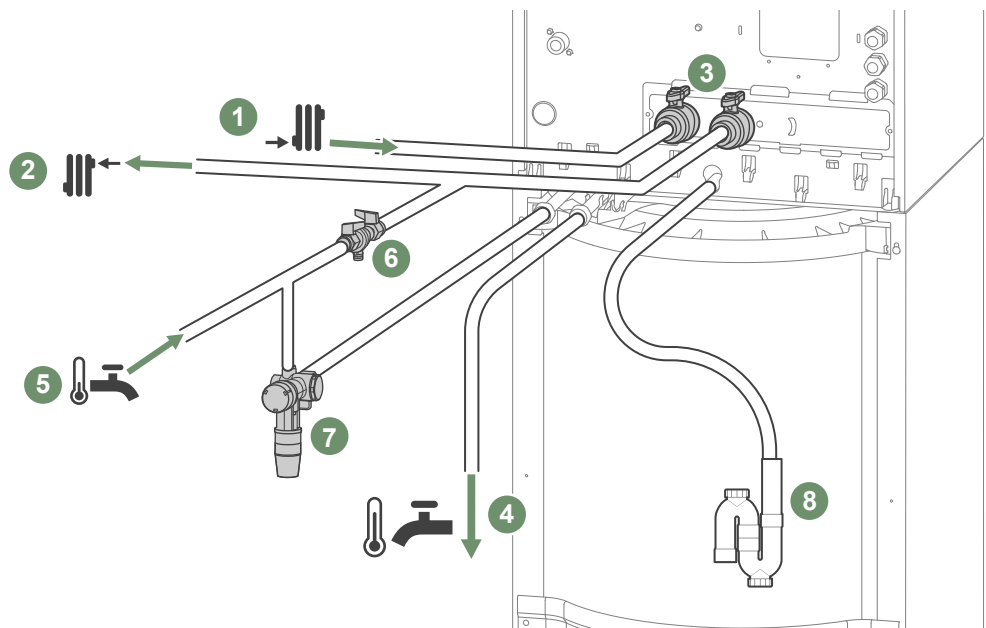
 ■ ALFEA EXCELLIA S DUO 342 kg





Ø 3/4 male

Ø	Tightening torque
1/2"	25 Nm
3/4"	35 Nm
1"	45 Nm
1-1/4"	60 Nm

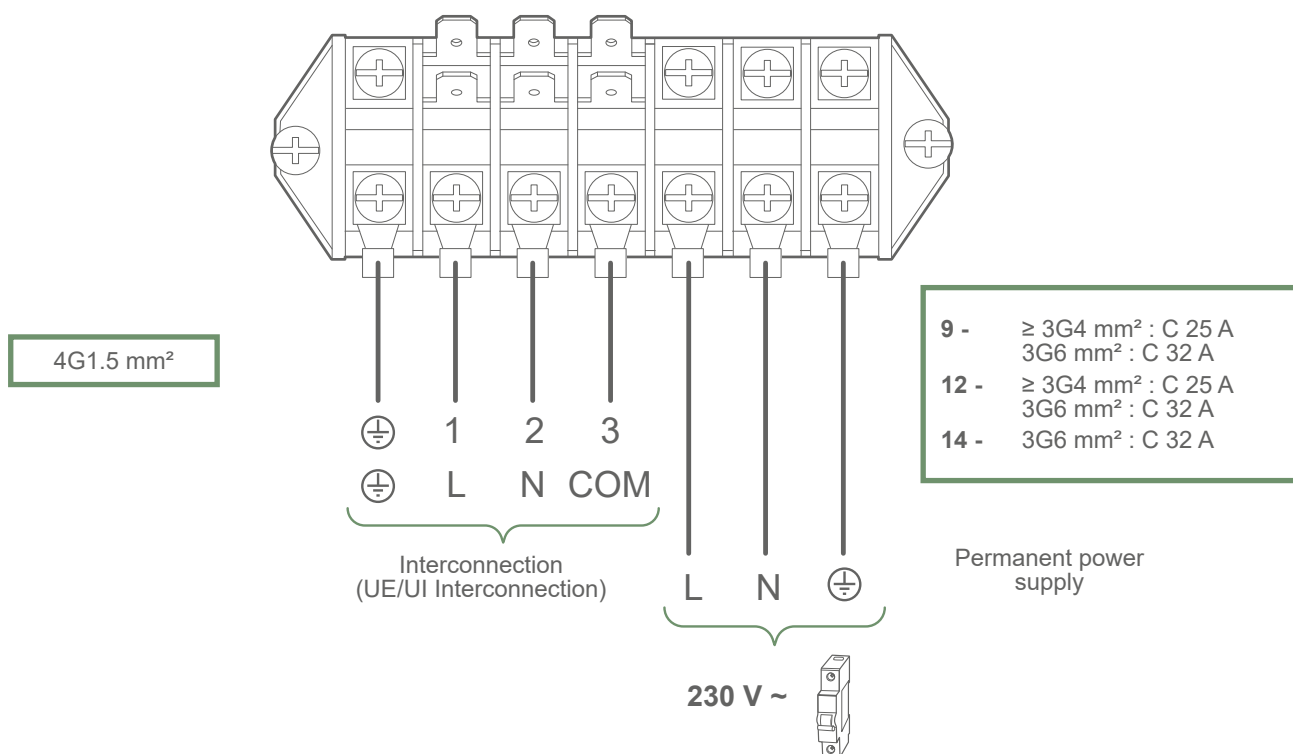


- 1 - Heating return (1 circuit).
- 2 - Heating flow (1 circuit).
- 3 - Stop valve (not supplied).
- 4 - DHW outlet (domestic hot water)

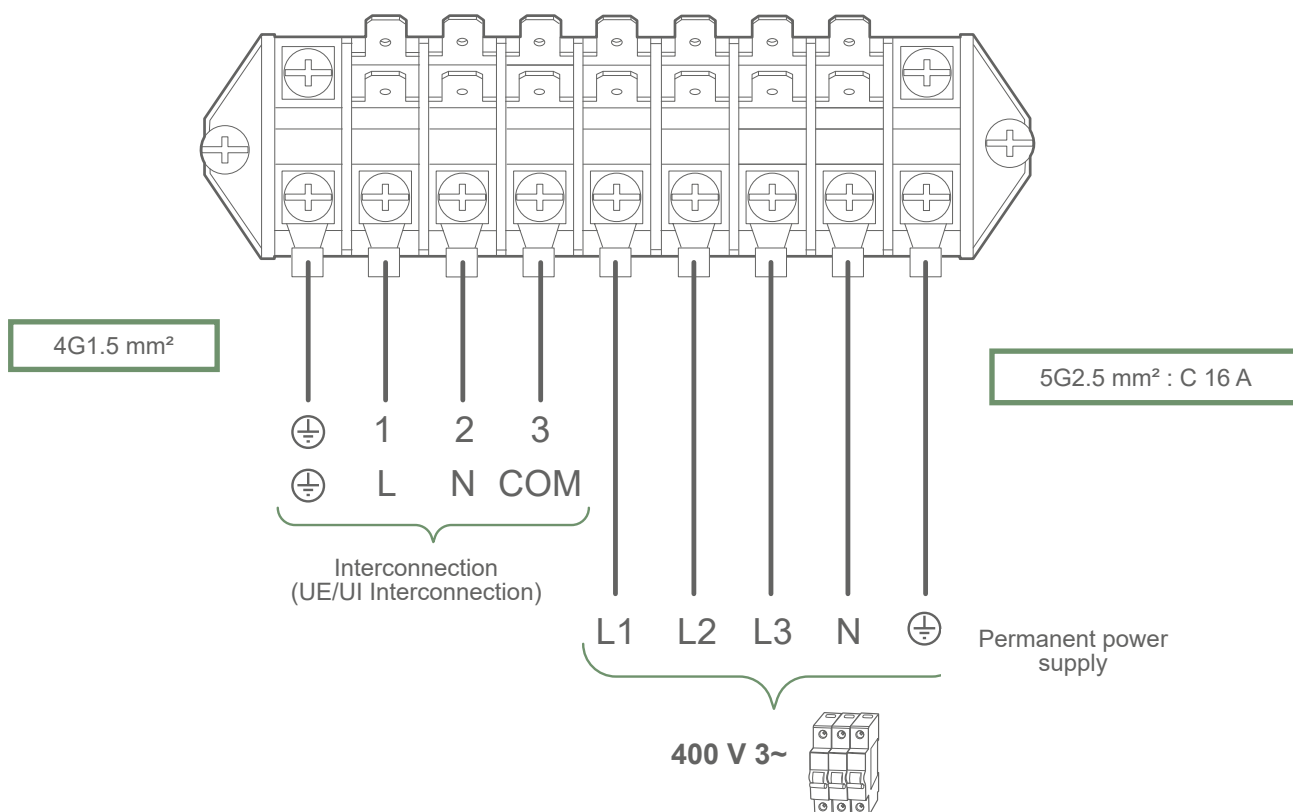
- 5 - DHW inlet (domestic cold water)
- 6 - Disconnector (not supplied).
- 7 - Safety group (required / not supplied).
- 8 - Drain pipe (sewerage).

## ■ ALFEA EXCELLIA S DUO - Outdoor Unit

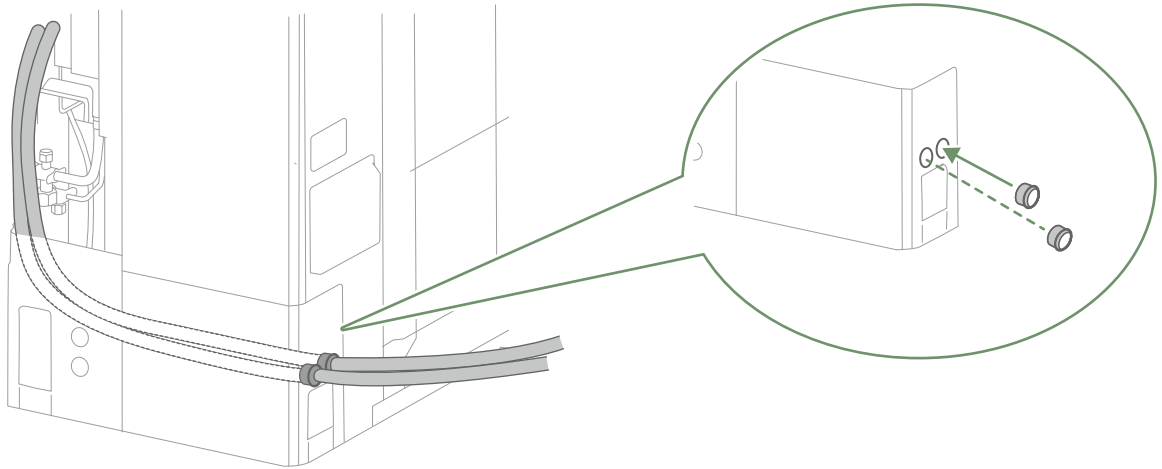
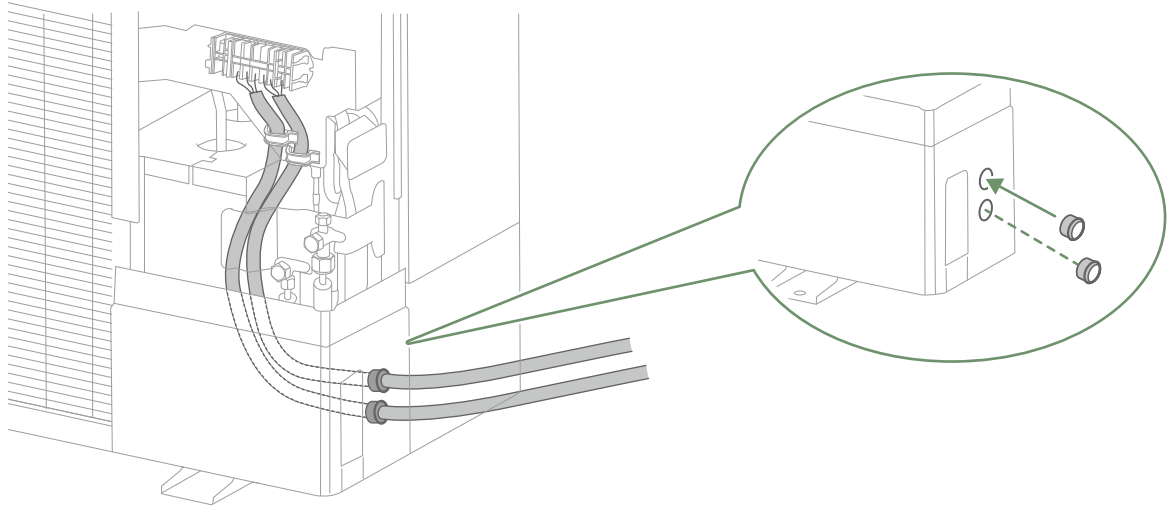
### ■ Single-phase models



### ■ Three-phase models

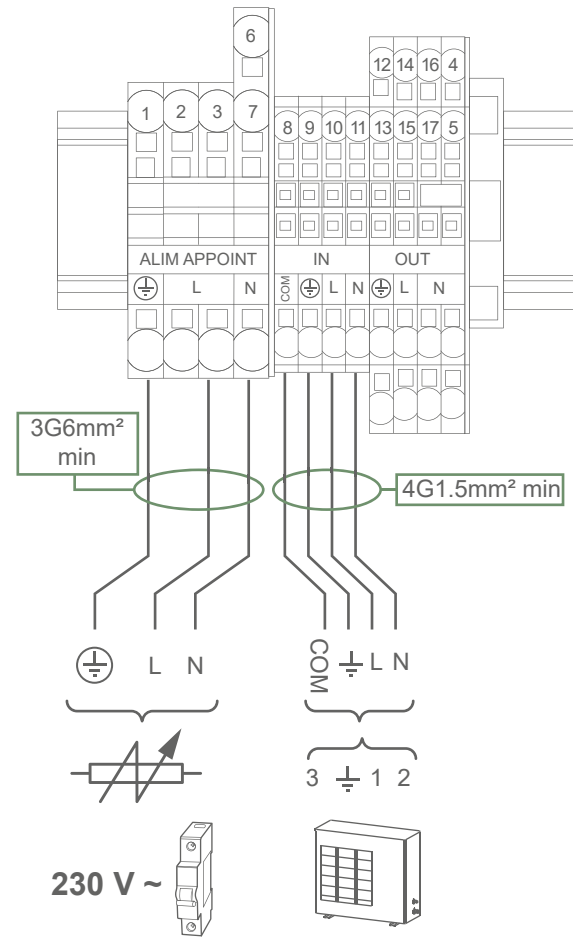




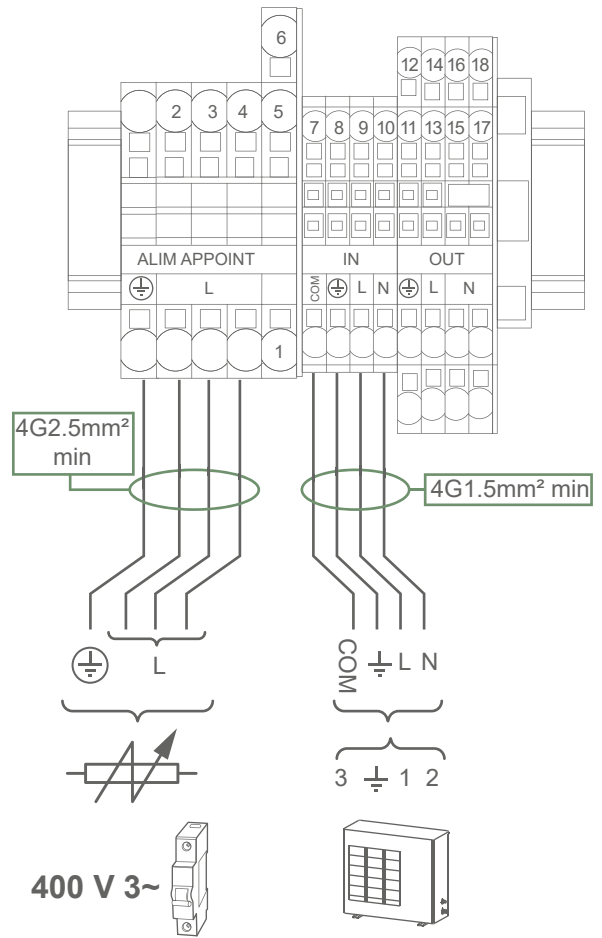


# ALFEA EXCELLIA S DUO - Hydraulic Unit

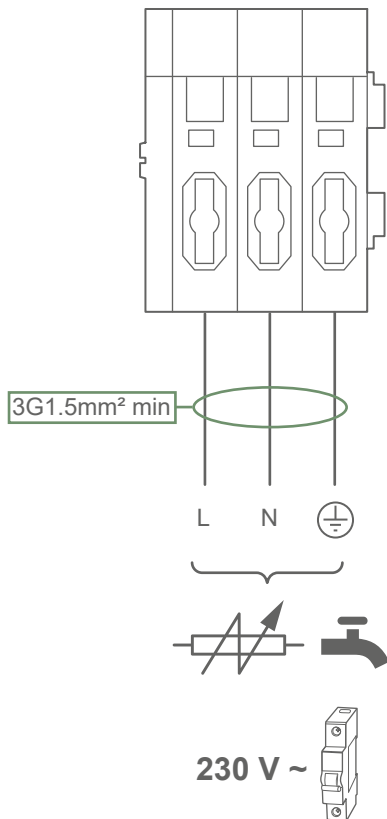
## Single-phase models

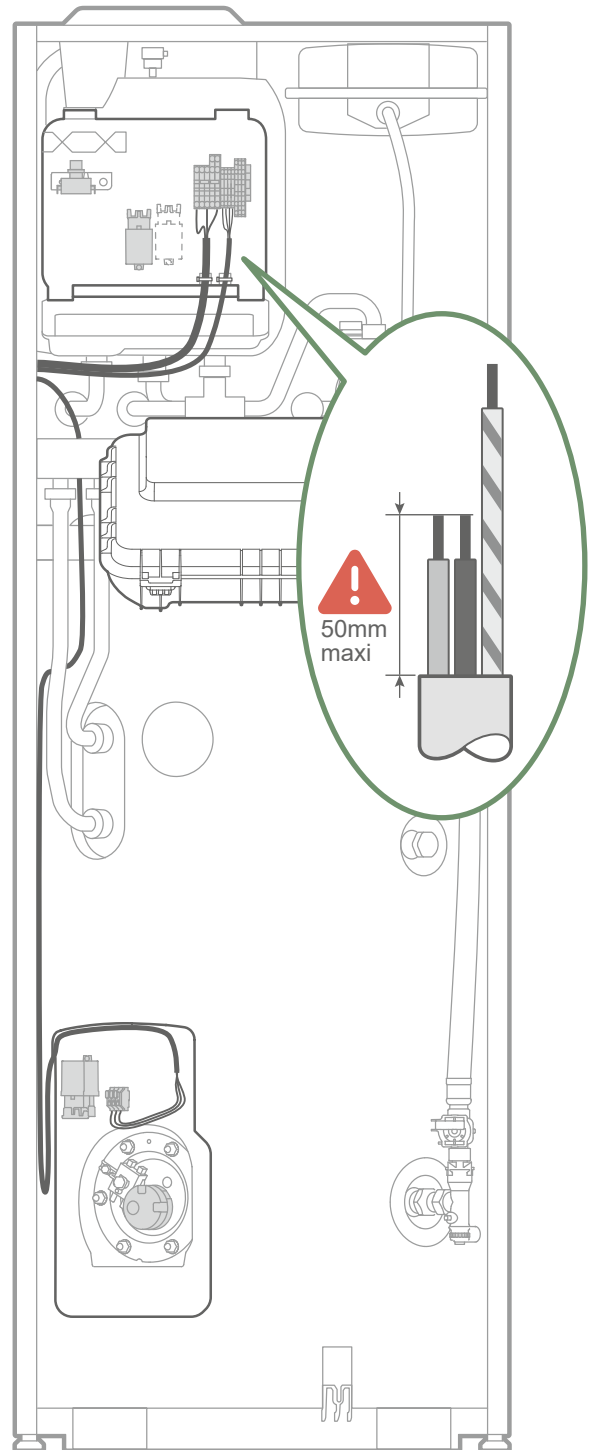
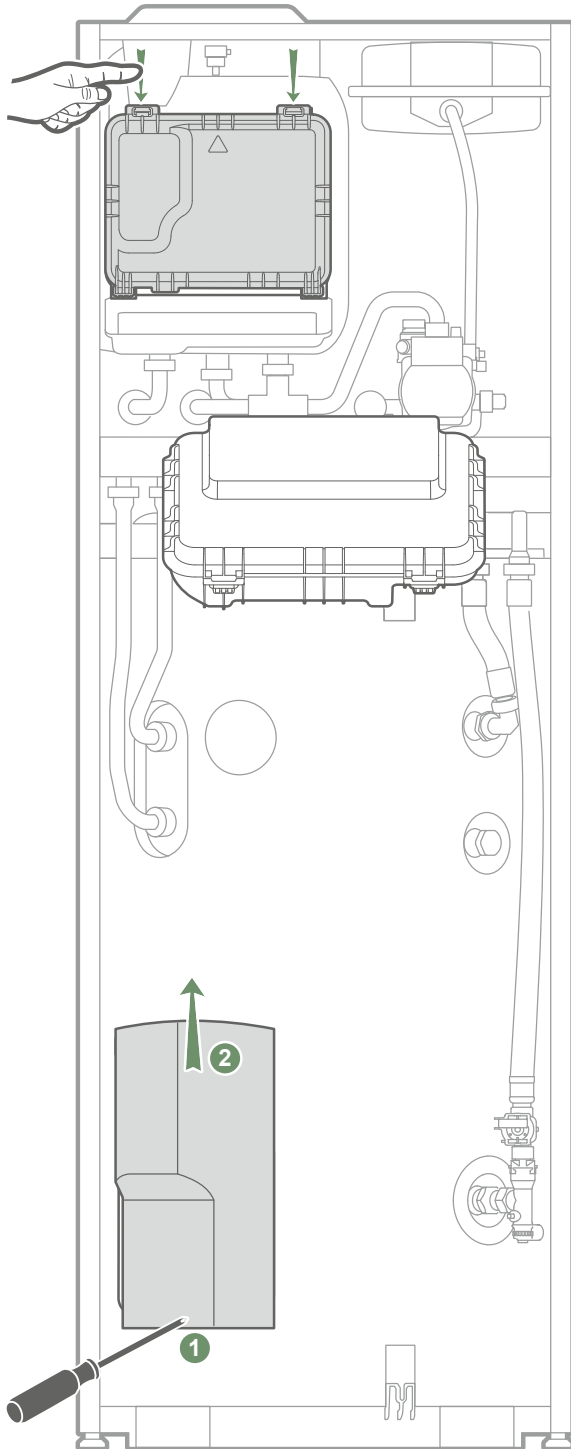
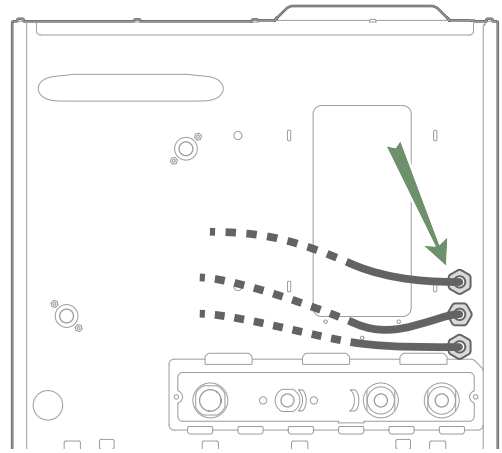
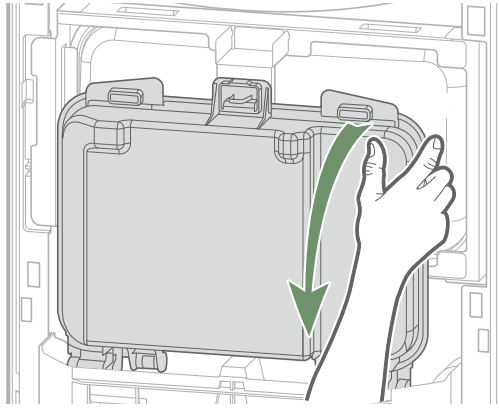


## Three-phases models



## ECS supply box terminal block





Commissioning date:

Address of your heating installer or customer service.



This equipment complies with:

- Low Voltage Directive 2014/35/EC in accordance with EN 60335-2-40 standard,
- Electromechanical Compatibility Directive 2014/30/EC,
- Machines Directive 2006/42/EC,
- Pressure Equipment Directive 2014/68/EC in accordance with EN 378-2 standard,
- Ecodesign Directive 2009/125/EC,
- Energy Labelling Directive 2010/30/EC.

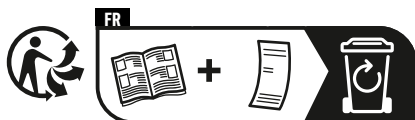
This appliance also complies with:

- Decree No. 92-1271 (and its modifications) relating to certain refrigeration fluids used in refrigeration and air conditioning equipment.
- Regulation 842/2006 of the European parliament on certain fluorinated greenhouse gases.
- The standards relating to the product and the testing methods used: Air-conditioners, refrigeration units and heat pumps with compressor driven by electric motor for heating and refrigeration 14511-2, 14511-3, and 14511-4.
- Standard EN 12102: Air-conditioners, heat pumps and dehumidifiers with compressor driven by electric motor. Measurement of airborne noise. Determination of acoustic power level.



Keymark Certification :

- 012-C700298 - Alféa Excellia S DUO 9
- 012-C700299 - Alféa Excellia S DUO 12
- 012-C700300 - Alféa Excellia S DUO 12 TRI
- 012-C700301 - Alféa Excellia S DUO 14
- 012-C700302 - Alféa Excellia S DUO 14 TRI



Points de collecte sur [www.quefairedemesdechets.fr](http://www.quefairedemesdechets.fr)